

Armored R12 Sink Black 32" x 20" – U/M



Kitchen Sinks

Code: 4237 663

PVD Black
AISI 304 Stainless steel
Satin finish
Undermount
x cross bending for easy water draining



DETAILS

Series	Armored R12
Material	AISI 304 stainless steel
Texture	Satin
Finish	PVD
Coloring	Black
Edge/Installation Type	Undermount
Thickness	16 Gauge (1.5 mm)
Overall dimensions	32" x 20"

Bowls dimensions	1 bowl 30" x 18"
Bowls depth	10"
Cut out	30" x 18" radius 1/2"
Waste fitting type	3 1/2" - with stainless steel basket
Bowls bottom	X cross bending for easy water draining
Underside	Protected with heavy duty undercoating
Fixing system	Undermount fixing kit (brass insert and clips)

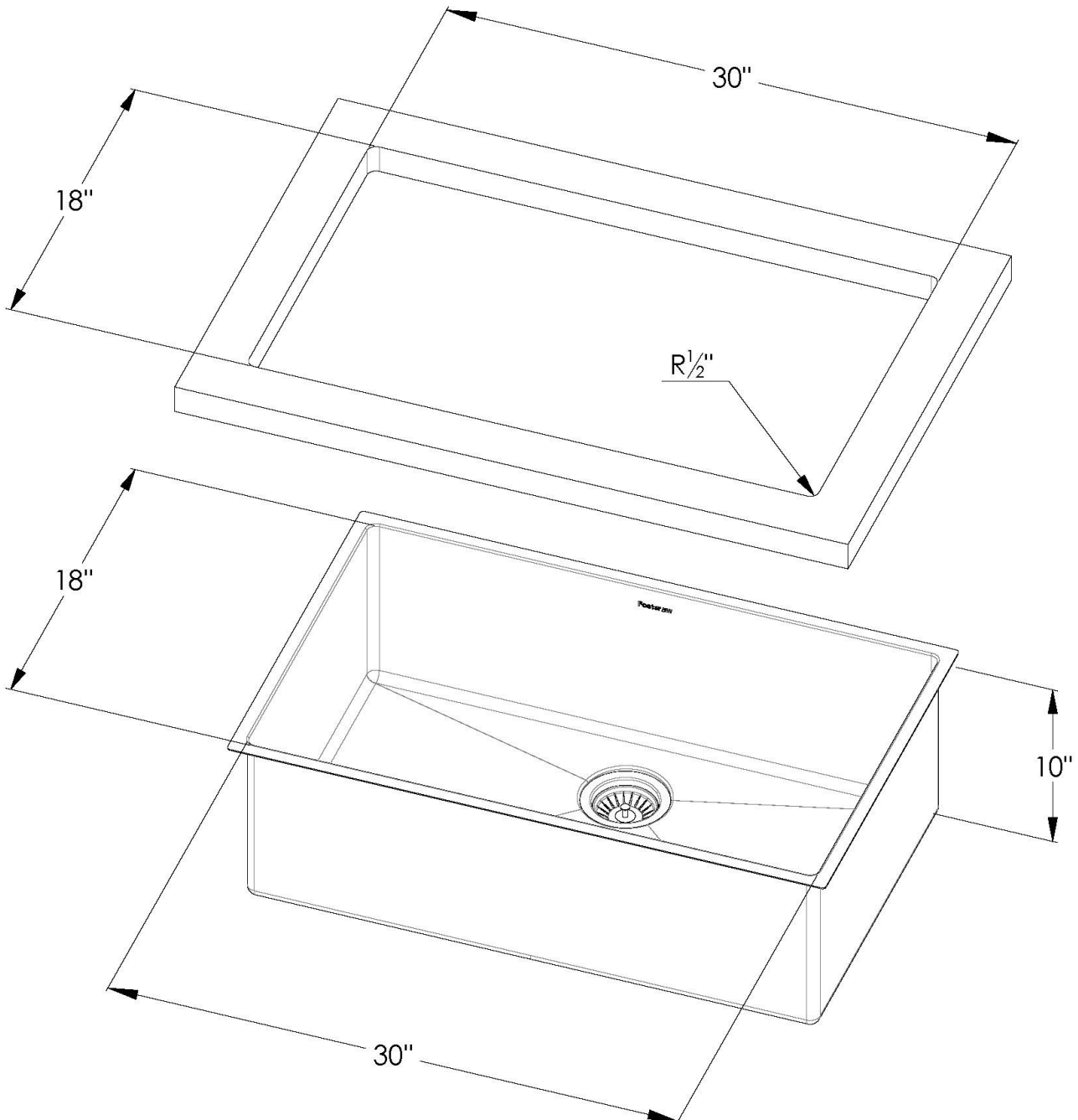
FEATURES

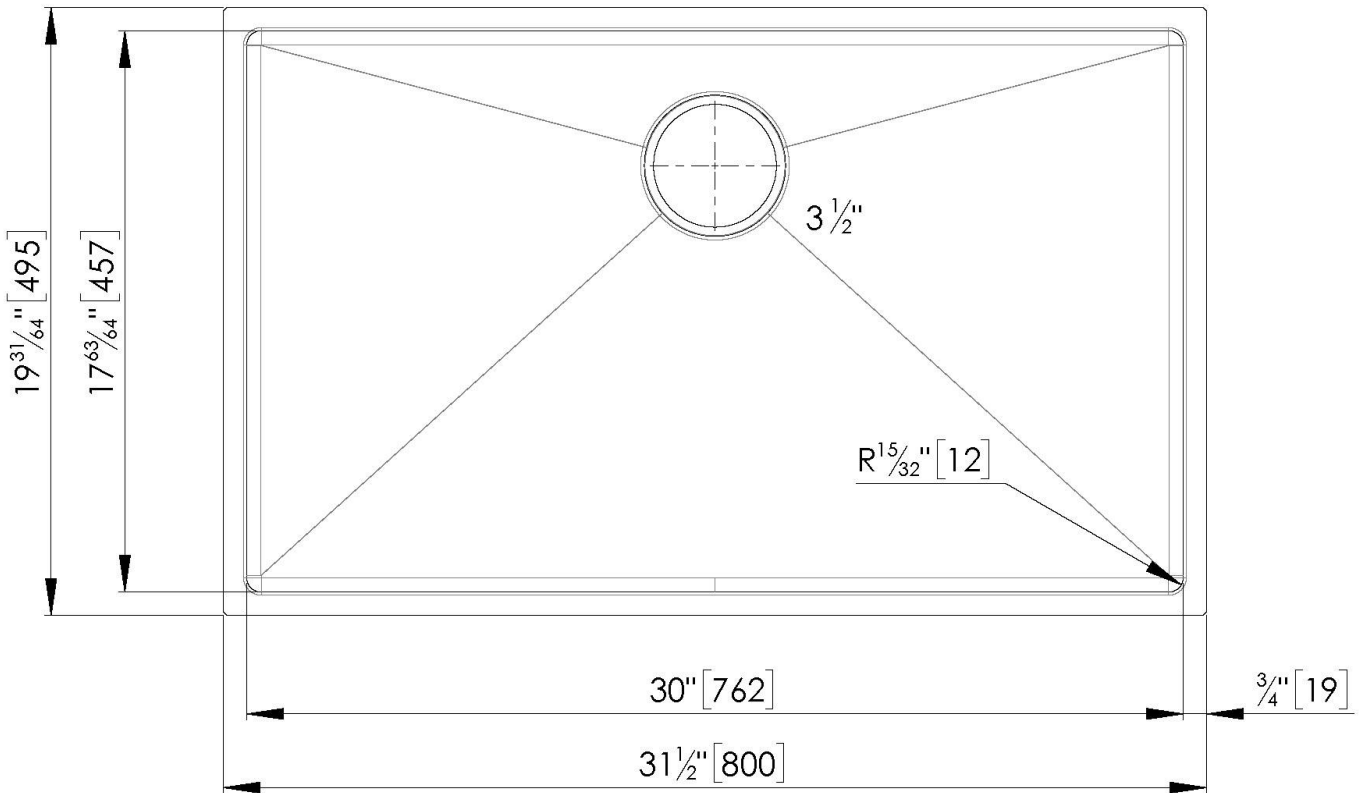
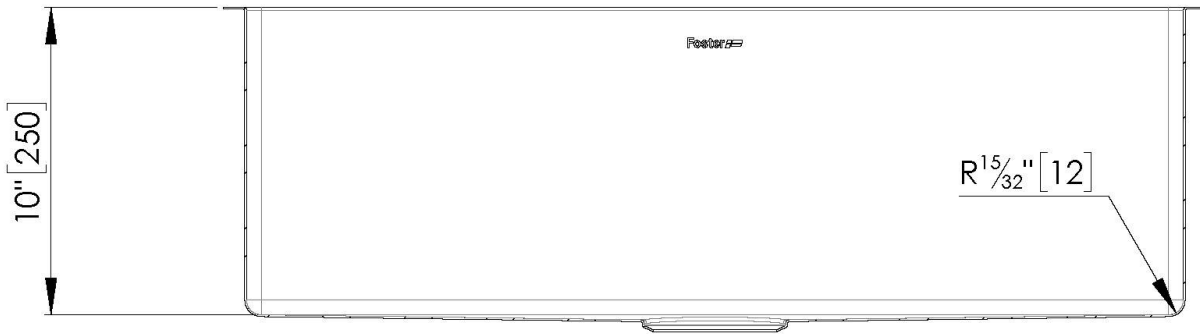
BLACK	The Black finish is obtained by treating steel with a physical process called PVD (Physical Vacuum Deposition) which deposits particles of noble metals on the surface. The result is a unique and refined aesthetic effect, and an improvement of the mechanical properties of the steel which is more resistant to impact and scratches.
Diamond-shape bottom	The draining of water is an important feature in a sink, and it's always taken good care of in Foster products. In the bent-welded sinks, which would have a flat bottom, the proper draining is guaranteed by the elegant beveling, which helps the water flow.
High thickness	1.5 mm thick steel. A significant thickness, which guarantees the maximum sturdiness and durability.
Basket 3,5" waste fitting	The drain is equipped with a large 3.5" drain, with the practical basket cap that prevents the discharge of solid parts.
Deep bowls	This bowls reach an important depth, over 20 cm, thanks to the advanced production technology, that can be offer great capieny and practicity in all the washing operations.

Small radius

Bowls with squared shapes with a modern design and an increased capacity, for a minimal aesthetics connected with an extreme practicality.

TECHNICAL DATA





OPTIONAL ACCESSORIES



Black grid
8100 619



Expandable colander
8110 020



Chopping board
8644 034



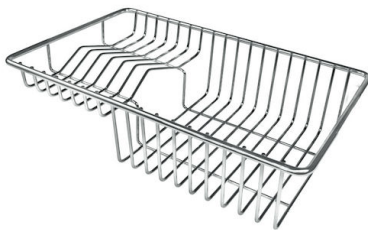
Stainless steel plate rack
8100 154
* only in combination with the accessory
8644 034



Twin Chopping Board
8644 102



**Stainless steel perforated pan PVD
Gun Metal**
8151 006



Stainless Steel dishes holder
8100 303
* only in combination with the accessory
8644 102



**Grating kit complete with ring
support and food collection tray**
8159 101
* only in combination with the accessory
8644 102



**Waste disposer throat PVD Gun
Metal**
8669 046

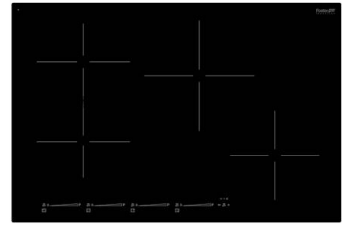
RECOMMENDED PAIRINGS



Faucet Capri | Black finish
8467 666



Faucet Capri Gun Metal
8467 605



Induction Cooktop 30"
7371 947